

# TDG 1712D

FITTING INSTRUCTION / INSTRUCTION DE MONTAGE / EINBAUANLEITUNG /  
ISTRUZIONI PER L'USO / INSTRUCCIONES DE MONTAJE / MONTAGEHANDLEIDING

**travall**

enjoy the journey.

## PEUGEOT 2008

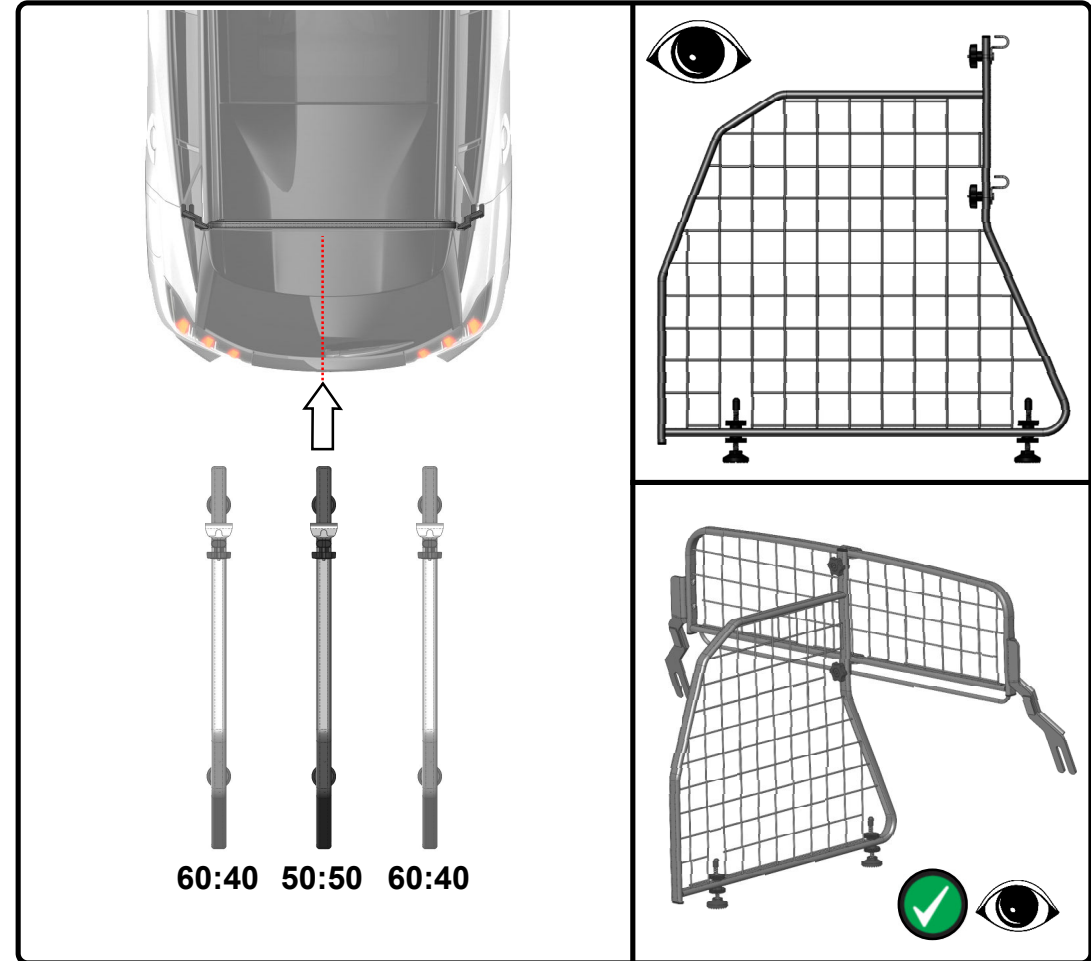
LUGGAGE PARTITION DIVIDER / PARTITION CENTALE DE COFFRE À BAGAGES /  
ABTRENUNG - GEPÄCKRAUMGITTER / RED DE DIVISIÓN DEL MALETERO /  
DIVISORIO CENTRALE BAGAGLIAIO / DE VERDELER VAN DE BAGAGEVERDELING



(50:50)



(60:40)



## TRAVALL

The contents and parts shown in this fitting instruction is the property of TRAVALL therefore anything shown should not be used for any other manufacturing purposes, copied or replicated in anyway without written authorisation from ©TRAVALL.

TRAVALL UNITED KINGDOM  
GOSFORTH ROAD,  
DERBY,  
DE24 8HU,  
United Kingdom,  
E: [Info@travall.com](mailto:Info@travall.com)  
T: +44(0)1332387630

## The Travall Difference

Lifetime Warranty • OEM Car Factory Supplier  
100s of Applications • Manufacturer for Over 30 Years



PATENTS APPLIED FOR

# TDG 1712D

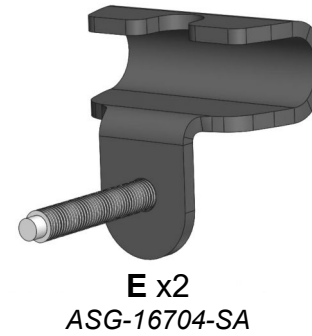
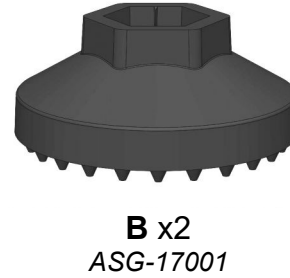
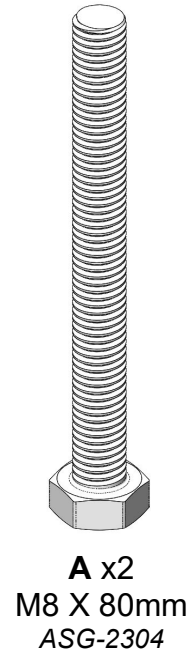
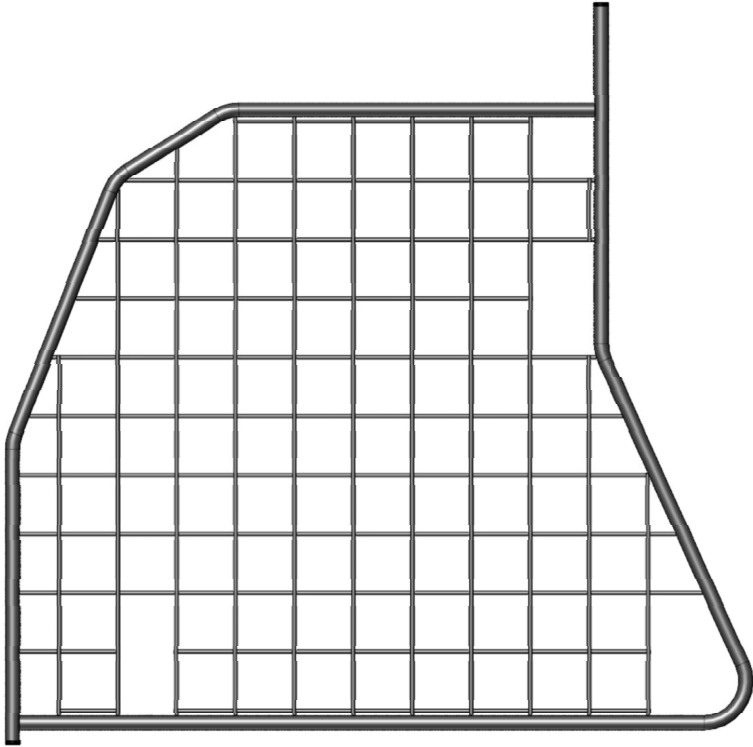
FITTING INSTRUCTION / INSTRUCTION DE MONTAGE / EINBAUANLEITUNG /  
ISTRUZIONI PER L'USO / INSTRUCCIONES DE MONTAJE / MONTAGEHANDLEIDING

**trav/all**

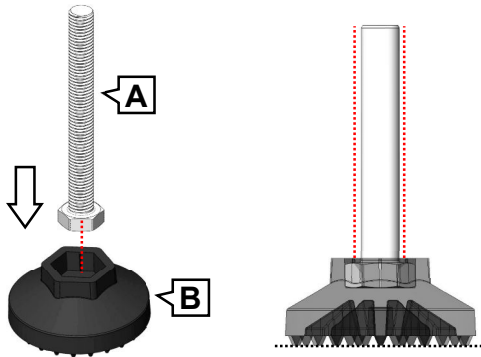
enjoy the journey.

PEUGEOT 2008

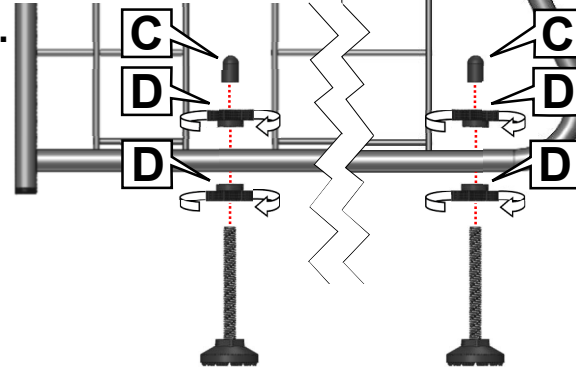
LUGGAGE PARTITION DIVIDER / PARTITION CENTALE DE COFFRE À BAGAGES /  
ABTRENUNG - GEPÄCKRAUMGITTER / RED DE DIVISIÓN DEL MALETERO /  
DIVISORIO CENTRALE BAGAGLIAIO / DE VERDELER VAN DE BAGAGEVERDELING



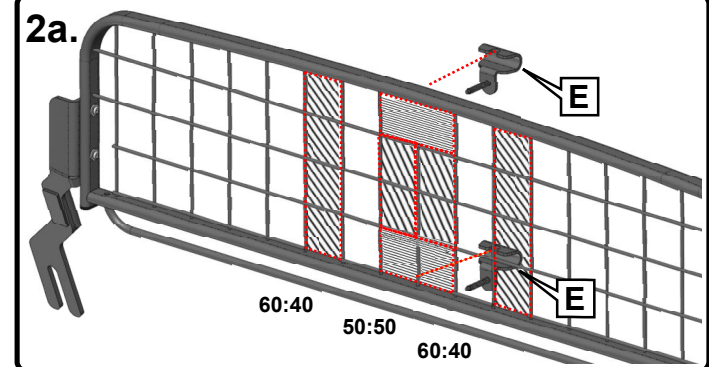
1a. (x2)



1b.



2a.



# TDG 1712D

FITTING INSTRUCTION / INSTRUCTION DE MONTAGE / EINBAUANLEITUNG /  
ISTRUZIONI PER L'USO / INSTRUCCIONES DE MONTAJE / MONTAGEHANDLEIDING

**trav/all**

enjoy the journey.

## PEUGEOT 2008

LUGGAGE PARTITION DIVIDER / PARTITION CENTALE DE COFFRE À BAGAGES /  
ABTRENUNG - GEPÄCKKRAUMGITTER / RED DE DIVISIÓN DEL MALETERO /  
DIVISORIO CENTRALE BAGAGLIAIO / DE VERDELER VAN DE BAGAGEVERDELING

